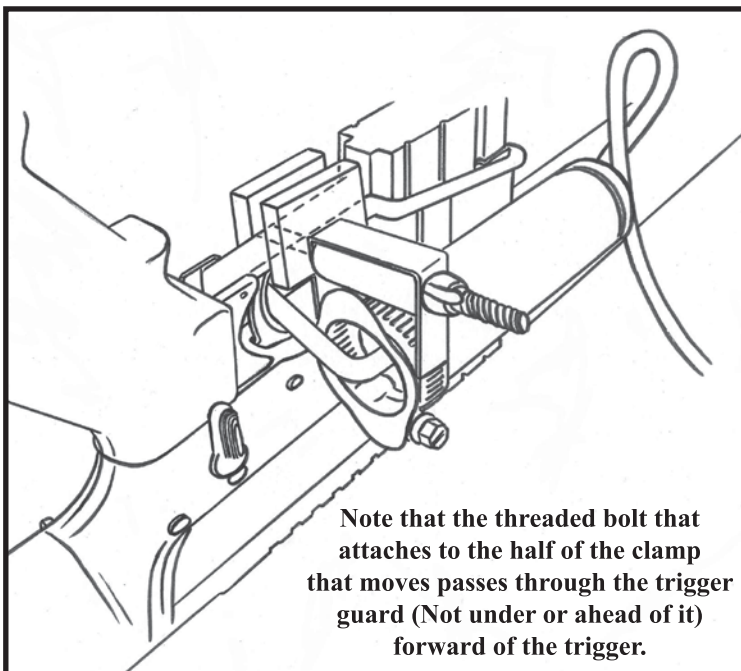
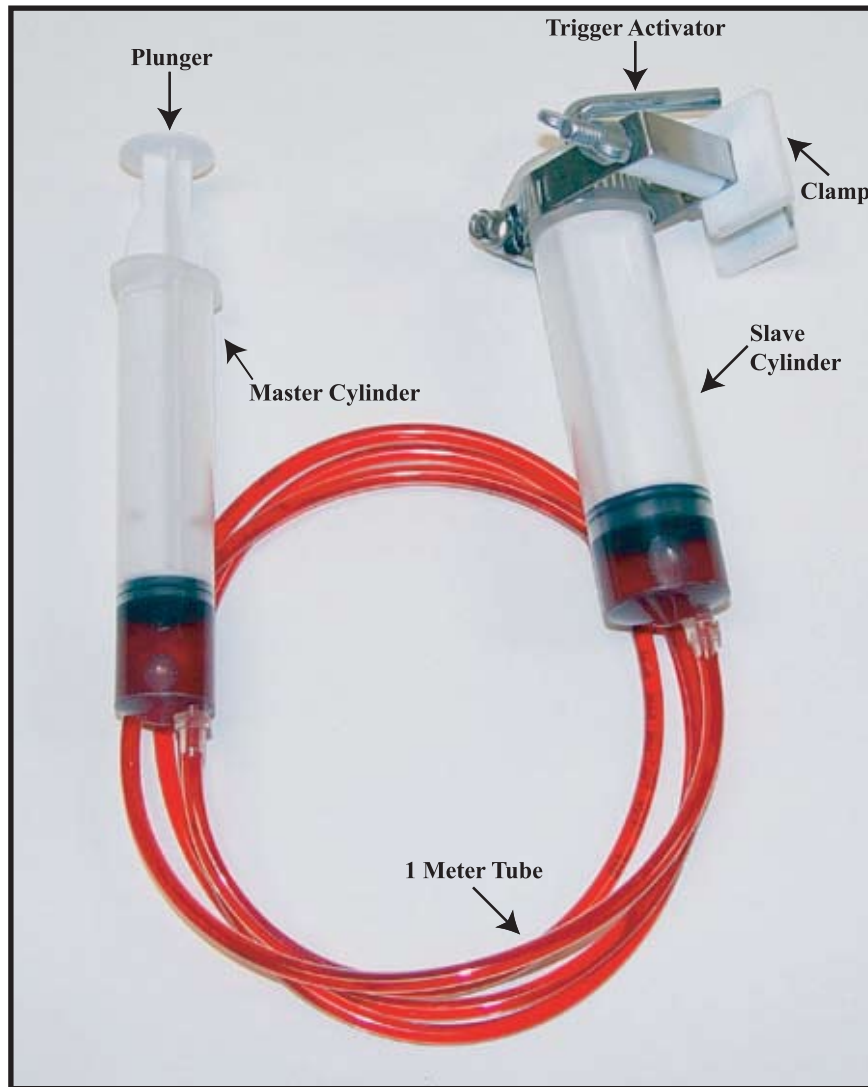
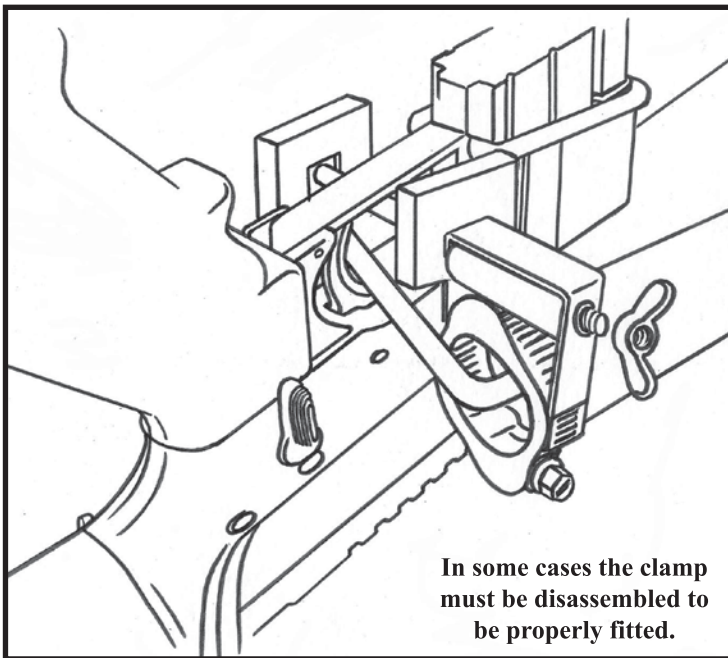


How To

Attach the 30010 Hydraulic Trigger Release

Applies to the 30003 Gas Dampened Rest and 30010 Hydraulic Trigger Release

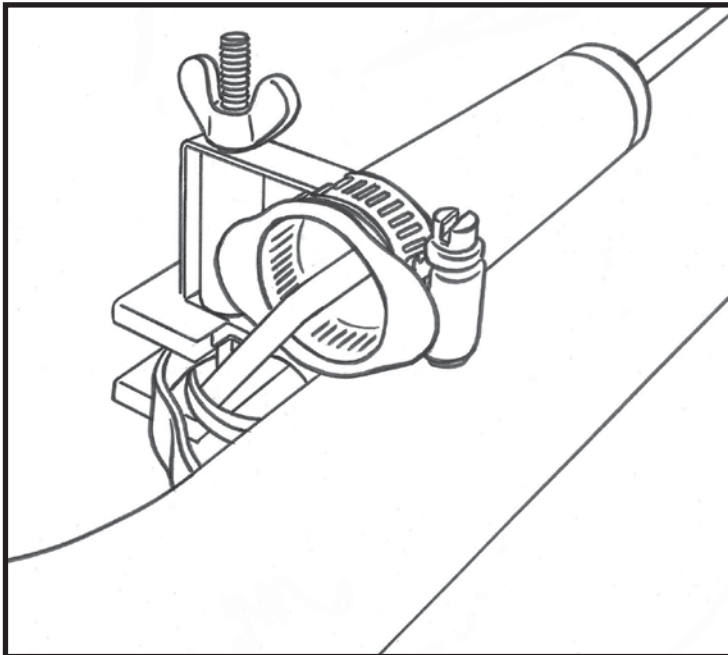




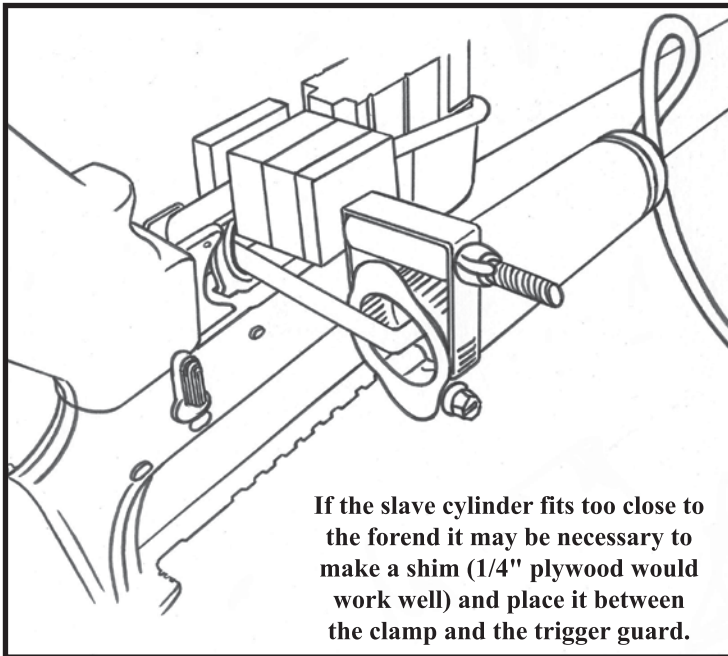
In some cases the clamp must be disassembled to be properly fitted.



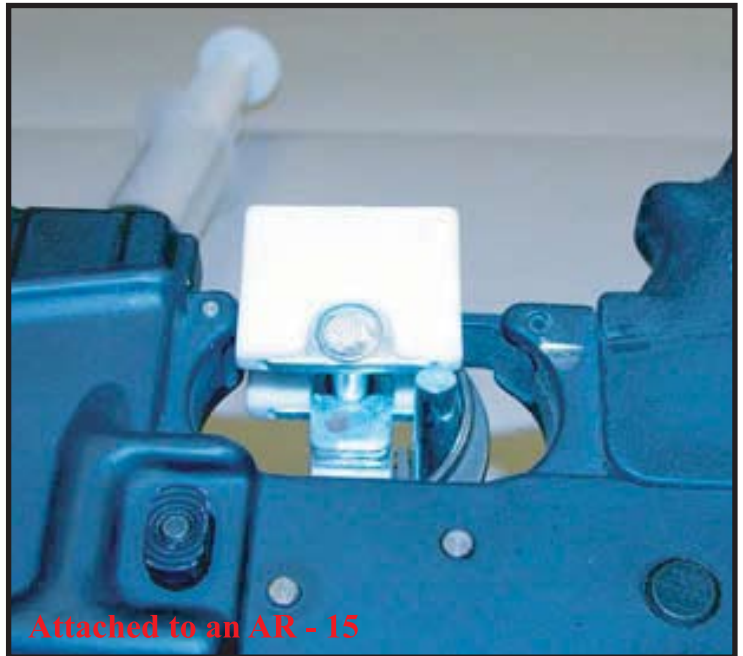
Attached to an AR - 15



Attached to a Model 70



If the slave cylinder fits too close to the forend it may be necessary to make a shim (1/4" plywood would work well) and place it between the clamp and the trigger guard.



Attached to an AR - 15